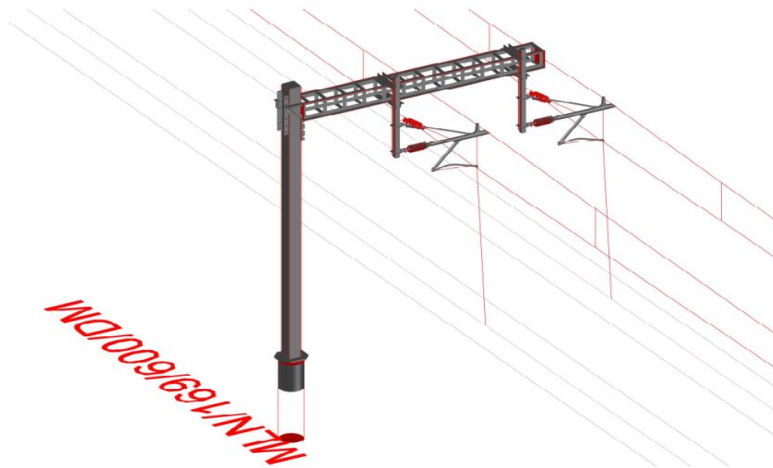
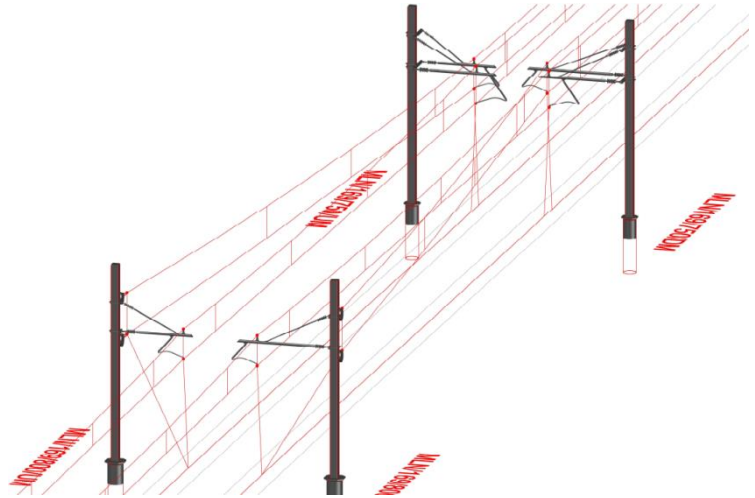


Working efficiently and reliably using ELFF software

Newsletter #6 May 2017

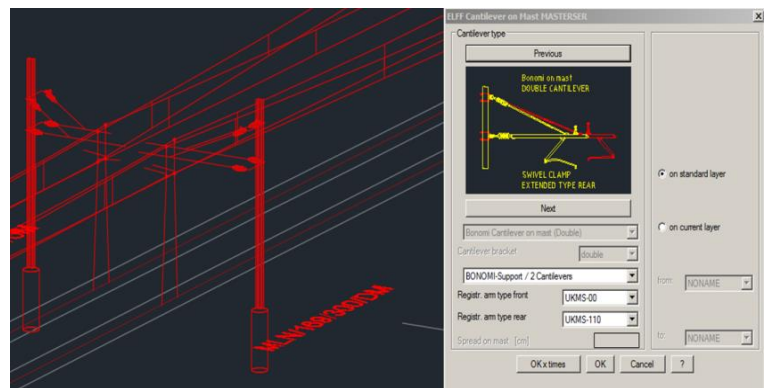
Kind Reader We are already through the first quarter of the year 2017 and many things are happening here at Furrer + Frey in Switzerland. We are working on new functions and innovations to make sure that our clients have the best possible solution, tailored for their needs. One big step in 2017 is to implement the UK Master Series (UKMS) design range into ELFF.

Martin Begré



UK Master Series is a single OLE design range that is to be used on all future UK 25kV electrification schemes. The design is compliant with the Energy sub-system Technical Specification for Interoperability (TSI) and provides, hand in hand with the Furrer + Frey ELFF design tool, a cost-effective design solution. The objective of the development of the Series 1 and Series 2 designs into one single design range.

ELFF UKMS One of the main challenges confronted in the implementation of UKMS into ELFF, was to not change the principle of how ELFF works. Our main target was ensuring that experienced ELFF users are able to enjoy the same efficient and convenient way of working as they are used to. This will also enable new ELFF design engineers to acquire a feeling for UKMS in next to no time.



What is happening in 2017

The implementation of the UK Master Series (especially the Series 2 range) is our number one priority and will occupy most of our ELFF development resources. A first release is expected to be finalised in only a few months. As the UKMS drawing range is likely to change, this project will continue to preoccupy our team here in Switzerland.

For more information regarding ELFF-UKMS (SER 1 & SER 2) and to answer any other ELFF questions, please contact me by email at mbegre@furrefrey.ch